

LEDone®

LOC-FGHB Series Installation Guide

SAFETY INSTRUCTIONS: Read instructions carefully before attempting to install fixture.

- All wiring should be performed by a qualified electrician.
- Disconnect power before installing or servicing. This fixture must be wired in accordance with the National Electrical Code and applicable local codes and ordinances.
- Proper grounding is required to ensure personal safety.
- Recommended to be stored in -10°C to 60°C (14°F to 140°F).

CAUTION: Risk of fire

- **WARNING:** Make certain power is OFF before installing or maintaining fixture. No user serviceable parts inside.
- **WARNING:** Risk of shock when photoelectric switch is provided.
- **WARNING:** Please check if the voltage marked on the luminaire is consistent with the input voltage to be connected.
- **WARNING:** Do NOT use in an area with strong acid mist.
- **WARNING:** Make sure the installation position can withstand 10 times the weight of the luminaire before installing.
 - Install it at a flat place without vibration, swinging or fire hazards.

CLEANING & MAINTENANCE:

CAUTION: Be sure the fixture temperature is cool enough to touch. Do NOT clean or maintain while the fixture is energized.

1. Clean glass lens with non-abrasive glass cleaning solution.
2. Do NOT open fixture to clean the LED. Do NOT touch the LED.

Note: These instructions do not cover all details or variation in equipment, nor do they provide for every possible situation during installation, operation or maintenance.

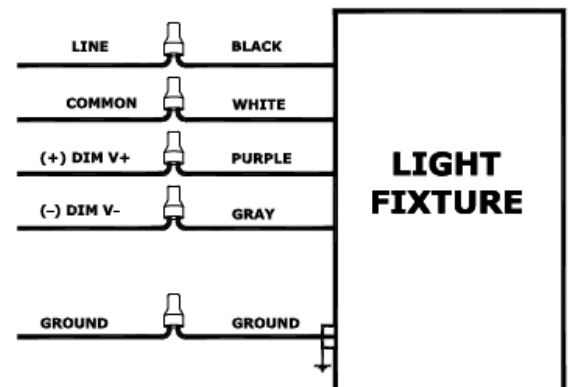
TROUBLESHOOT:

- If the light will not come on:
 - **A.** Light switch is turned off. Turn light switch on.
 - **B.** Fuse is blown, or circuit breaker is turned off. Replace fuse or turn circuit breaker on.
 - **C.** Incorrect circuit wiring. Verify that fixture is wired properly.

WIRING:

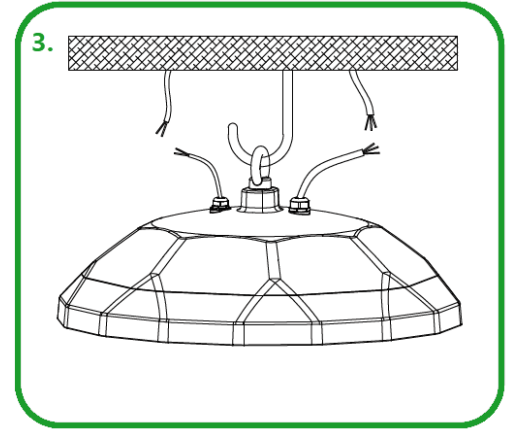
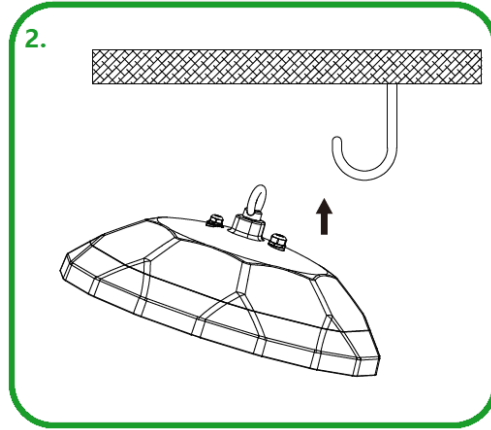
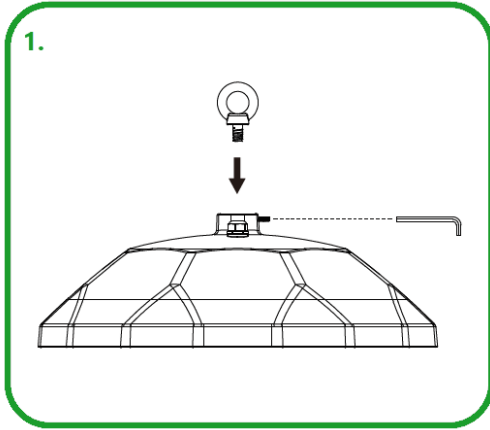
Universal voltage driver permits operation at 120V through 277V, 50/60Hz. For 0-10V

1. Connect the BLACK fixture lead to the (+) LINE supply lead.
2. Connect the WHITE fixture lead to the (-) COMMON supply lead.
3. Connect the GROUND wire from fixture to supply ground. Do NOT connect to the output.
4. Connect the PURPLE fixture lead to the (V+) DIM lead.
5. Connect the GRAY fixture lead to the (V-) DIM lead.
6. Cap the YELLOW fixture lead, if present. Do NOT connect.



MOUNTING:

1. **HOOK MOUNTING:** Follow mounting directions below.
 - a. Attach the o-hook to the fixture by tightening the screw. (Image 1)
 - b. Place the o-hook onto the mounting hook. (Image 2)
 - c. Connect the wires as mentioned above. (Image 3)



2. **PENDANT MOUNTING:** Follow mounting directions below.
 - a. Connect the wires from the fixture to the wires in the pendant mount. (Image 1)
 - b. Rotate the lamp to the mounting pipe (rotate clockwise). (Image 2)
 - c. Tighten the screw. (Image 3)

